

stainless steel 304 hydraulic glass hinge for 8-12mm bathroom glass doors

Model	90 degree glass to wall shower hinge
Material	stainless steel , aluminum
Finish	satin, mirror , black
Max. door height	2100mm
Max. door width	1000mm
Max. door weight per pair of glass hinge	45 kgs
Application	glass doors for shower roon , office buildings , hotels , apartments etc.
MOQ	1 pair = 2 pcs

Photos of stainless steel 304 hydraulic glass hinge for 8-12mm bathroom glass doors-







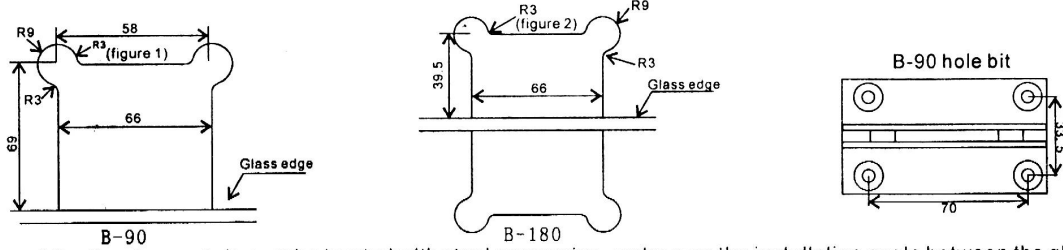
Installation instructions of hydraulic glass hinges-

## B-90 B-180 Hydraulic Buffer Glass Door Hinges' Specification

Application range & glass door parameters :

1. This series of hydraulic glass hinge is suitable for tempered glass door without frame .
2. Suitable for MAX door height  $\leq 2100\text{mm}$
3. Suitable for MAX door width  $\leq 1000\text{mm}$
4. Glass door thickness : 8-12mm
5. Maximum bearing weight of 45KG/2PCS

Glass door open cut reference graph (figure 1B -90 figure 2B - 180)

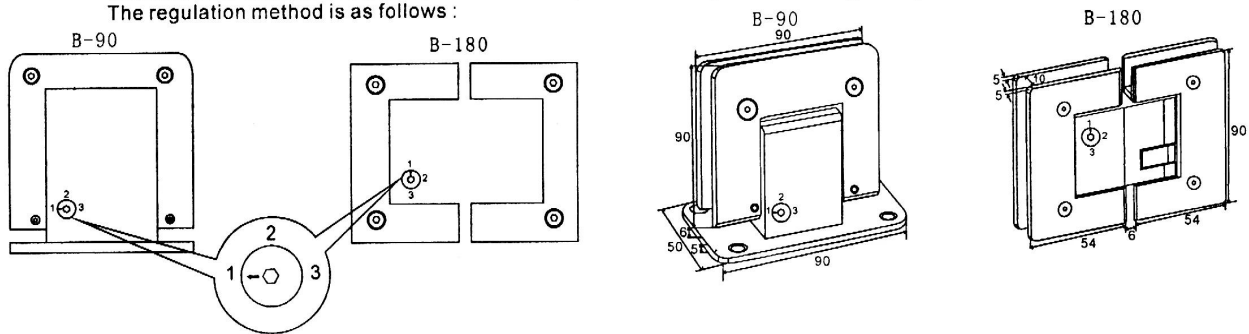


After the glass cut , it must be treated with steel processing , make sure the installation angle between the glass door and the ground is 90°when you install it .

The hydraulic glass door hinge can be adjusted for closing strength for 1 .2 .3 degree

Note:the door must be completely closed before you need to adjust the closing strength .

The regulation method is as follows :



( Twist the arrow to the position of desire strength )

Packing details -

1 pc into a white box , 10 pcs into a carton-





Project photos of glass shower doors with hydraulic hinges-

