

Water Drop Bullet Welding Hinge for Stainless Steel Doors Welding Hinge

Item	Weld on Hinges, welding hinge, welding hinges for steel doors
Hinge Material	Stainless steel, carbon steel, aluminum
Pin & Washer Material	Steel, brass, stainless steel
Surface Treatment	Polished
Application	Truck bodies, refuse containers, agricultural equipment, electronic cabinets
Size	As you require
Service	OEM & ODM

Mirror polished stainless steel welding hinges:



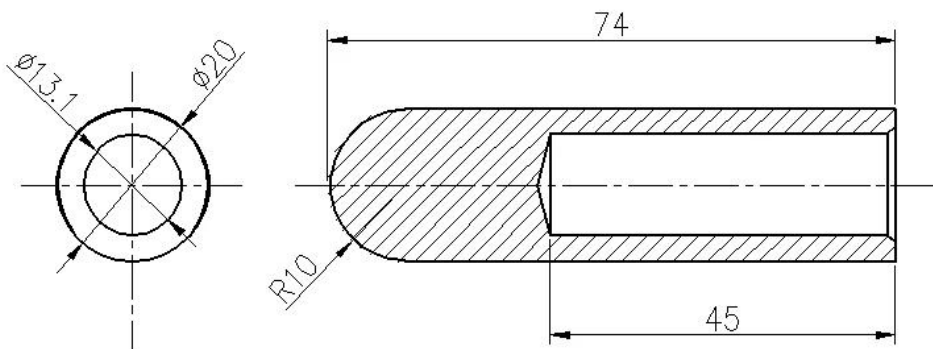
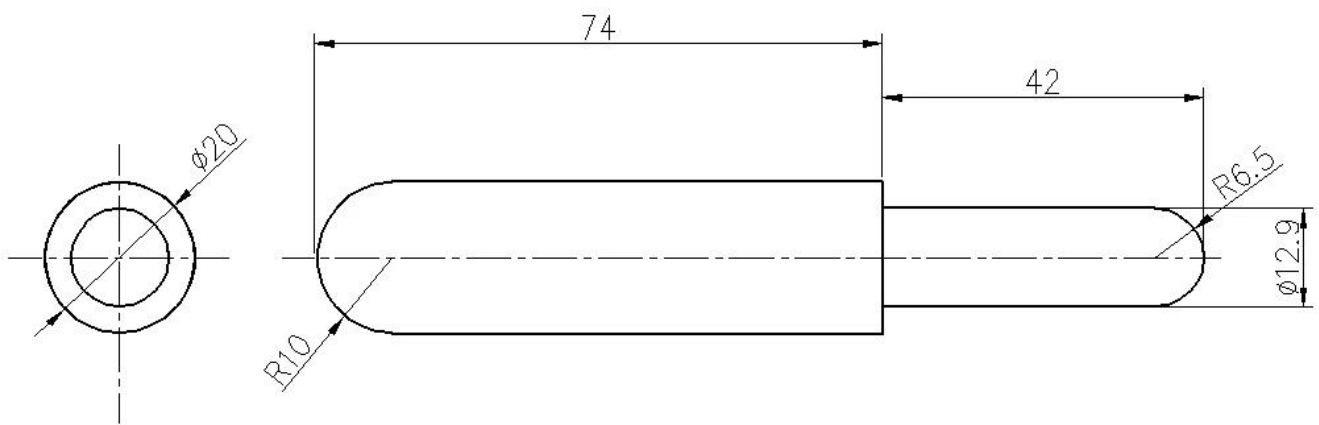
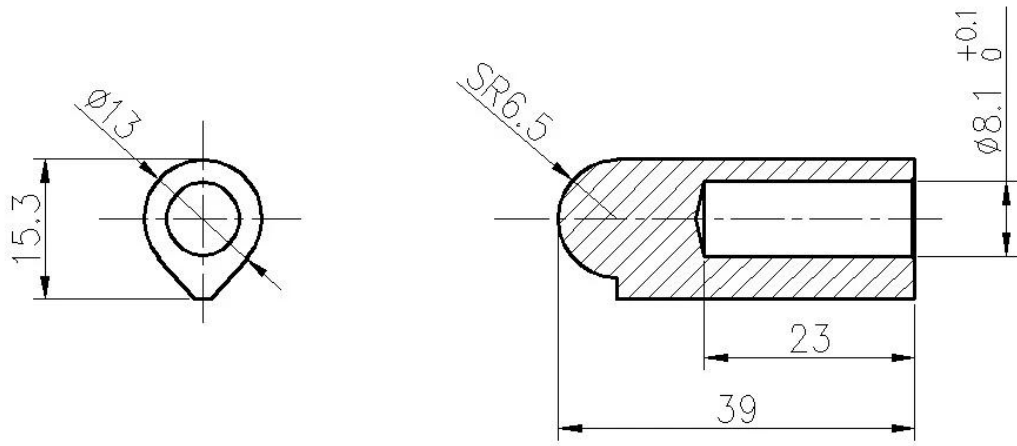
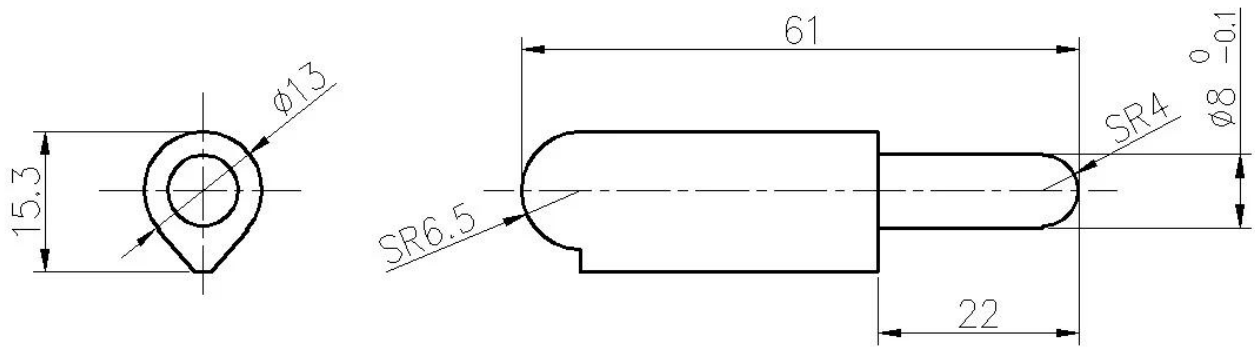
Mill finish weld on hinges:







Technical Drawings:



Applications:



Contact us for more details:

Eve

Email: sales03@launch-china.cn

HP/WhatsApp/WeChat: +8613686807796