

Stainless Steel Brushed Finish Heavy Duty Glass Railing Standoff Pin

Features of Stainless Steel Brushed Finish Heavy Duty Glass Railing Standoff Pin

P
r
o
d
u
c
t
N
a
m
e
S
t
e
e
l
B
r
u
s
h
e
d
F
i
n
i
s
h
H
e
a
v
y
D
u
t
y
G
l
a
s
s
R
a
i
l
i
n
g
S
t
a
n
d
o
f
f
P
i
n
M
a
b
e
n
l
e
s
s
s
t
e
e
l
3
4
/
3
1
6
,
d
u
p
l
e
x
2
2
5

9
i
a
m
e
t
e
r
3
8
m
m
(
1
1
/
2
")
)
,
4
m
m
o
r
5
m
m
(
2
")
)
,
c
a
p
1
m
m
,
b
a
s
e
l
e
n
g
t
h
a
d
j
u
s
t
a
b
l
e
f
r
o
m
2
5
-
3
5
m
m

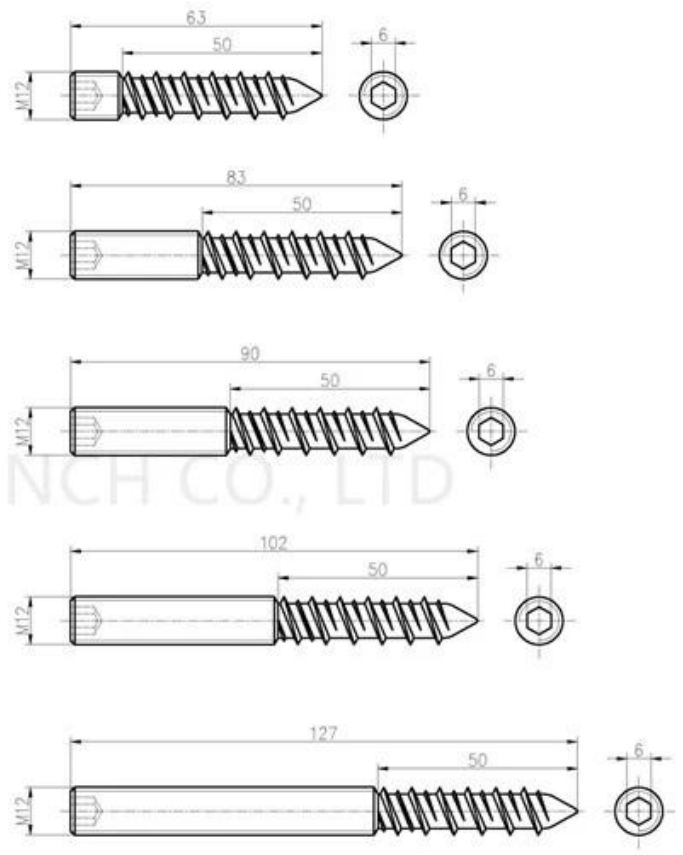
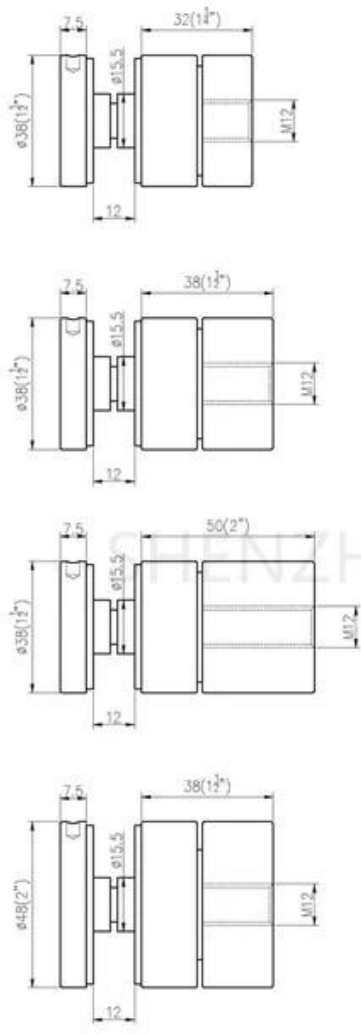
U
a
d
g
e
r
a
n
d
o
u
t
d
o
o
r
s
t
a
i
r
c
a
s
e
s
d
e
s
i
g
n
,
b
a
l
c
o
n
y
r
a
i
l
i
n
g
,
d
e
c
k
f
r
a
m
e
l
e
s
s
g
l
a
s
s
r
a
i
l
i
n
g
,
J
u
l
i
e
t
b
a
l
c
o
n
y
d
e
s
i
g
n
,
f
l
o
a
t
i
n
g
s
t
a
i
r
c
a
s
e

M
o
o
m
b
ü
n
g
S
a
g
e
b
w
a
b
d
.
c
o
n
c
r
e
t
e
o
r
s
t
e
e
l
M
i
n
r
e
h
p
t
i
e
h
e
d
o
r
s
a
t
i
n
b
r
u
s
h
e
d
E
i
2
G
l
ä
2
m
h
i
c
k
n
e
s
s
G
ä
m
s
ä
y
p
e
o
r
M
o
n
o
l
i
t
h
i
c

A
u
a
t
o
m
a
t
i
c
a
l
i
z
a
t
i
o
n
e
n
g
i
n
e
e
r
i
n
g
c
h
a
r
a
c
t
e
r
i
z
a
t
i
o
n
e
n
g
i
n
e
r
i
n
g







Other models of glass standoffs as below-



SF-50T



SF-50A



SF-50



SF-38



SF-38Z



SF-30



Part No.	Material	Finish	Body	Bolt size
<ul style="list-style-type: none"> ▪ SF-30 ▪ SF-40 ▪ SF-50 ▪ SF-50A 	<ul style="list-style-type: none"> ▪ AISI 304 ▪ AISI 316 	<ul style="list-style-type: none"> ▪ Satin ▪ Mirror 	<ul style="list-style-type: none"> ▪ 30x10; 30x25mm ▪ 40x10; 40x30mm ▪ 50x12; 50x30mm ▪ 50x12; 50x50mm ▪ silicon rubber gasket included 	<ul style="list-style-type: none"> ▪ M10x120 bolt ▪ M10x72 wood screw ▪ M8x100 bolt ▪ M8 x72 wood screw



Part No.	Material	Finish	Body	Bolt size
<ul style="list-style-type: none"> ▪ SF-38Z 	<ul style="list-style-type: none"> ▪ AISI 304 ▪ AISI 316 	<ul style="list-style-type: none"> ▪ Satin ▪ Mirror 	<ul style="list-style-type: none"> ▪ hollow type ▪ 38x7.5;38x38mm ▪ silicon rubber gasket included 	<ul style="list-style-type: none"> ▪ M8x70 hexagonal screw

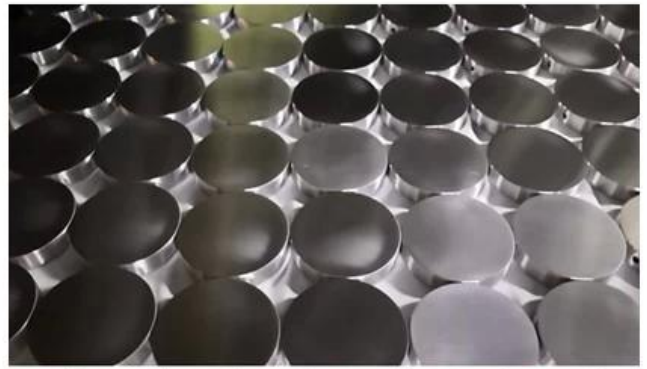


Part No.	Material	Finish	Body	Mounting plate size
<ul style="list-style-type: none"> ▪ SF-50T 	<ul style="list-style-type: none"> ▪ AISI 304 ▪ AISI 316 	<ul style="list-style-type: none"> ▪ Satin ▪ Mirror 	<ul style="list-style-type: none"> ▪ 50x10;50x30mm ▪ silicon rubber gasket included 	<ul style="list-style-type: none"> ▪ 200x100x10mm





Production and packing photos of glass standoffs -





Installation photos of glass standoff railings-





Welcome to contact us for further information:

Wendy: sales04@launch-china.cn

WhatsApp/WeChat: +86 159 8933 9827