

WHY CHOOSE US



15 YEARS EXPERIENCE

We have been manufacturing railing hardware since 2004.



ONE STOP SERVICE

We provide integrated railing solutions. We manufacture. We deliver.



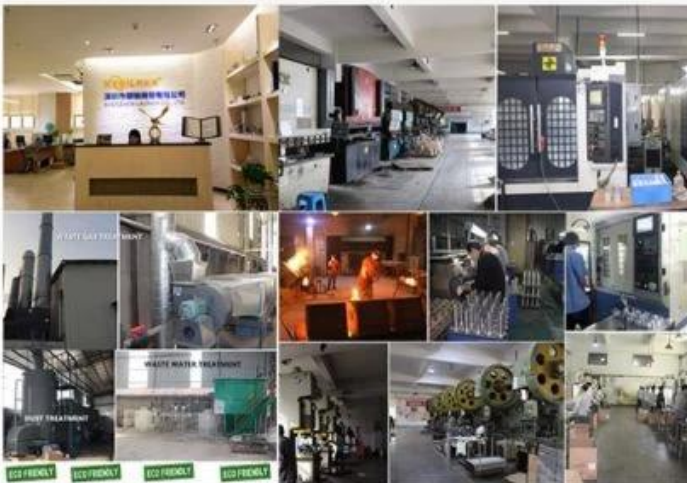
PROFESSIONAL R&D TEAM

We have engineering experts for developing new products.



TOP QUALITY & GOOD PRICE

We are strict on quality control as well as cost evaluation.



ABOUT US

Shenzhen Launch Co., Ltd was established in 2004, located at Nanshan District, Shenzhen, and one hour by car from Hongkong International Airport. Our main products are high-grade building materials including stainless steel balustrade post, staircase handrail, balcony guardrail, swimming pool fence and other high-grade building materials. All the products are designed strictly according to the high-end market requirements. We have our own factory in Tangxia Town, Dongguan, with more than 50 sets of various precision equipments, such as CNC lathe, milling machine, punching machine, pipe cutter, argon welder, drilling machine, polisher, etc. which can provide customers with complete product processing services.

Product Show:

Modern Stainless Steel Glass Railing Baluster Post for Stairs/ Stainless Steel Stair Handrail Manufacturer

| | |
|-----------|--|
| Item nr. | LCH-116 |
| Base size | 100 x 100mm for 4 holes |
| Material | Stainless steel 316 |
| Finish | Brushed Nickel/ Polished Chrome/ electroplating |



Short Design Glass Railing Post:

Balustrade Short Post



Aluminum post
(aluminum 6063 T5)

*400mm high
*50x50x3mm tube
*50x5mm plate

Finish:
anodizing
powder coating

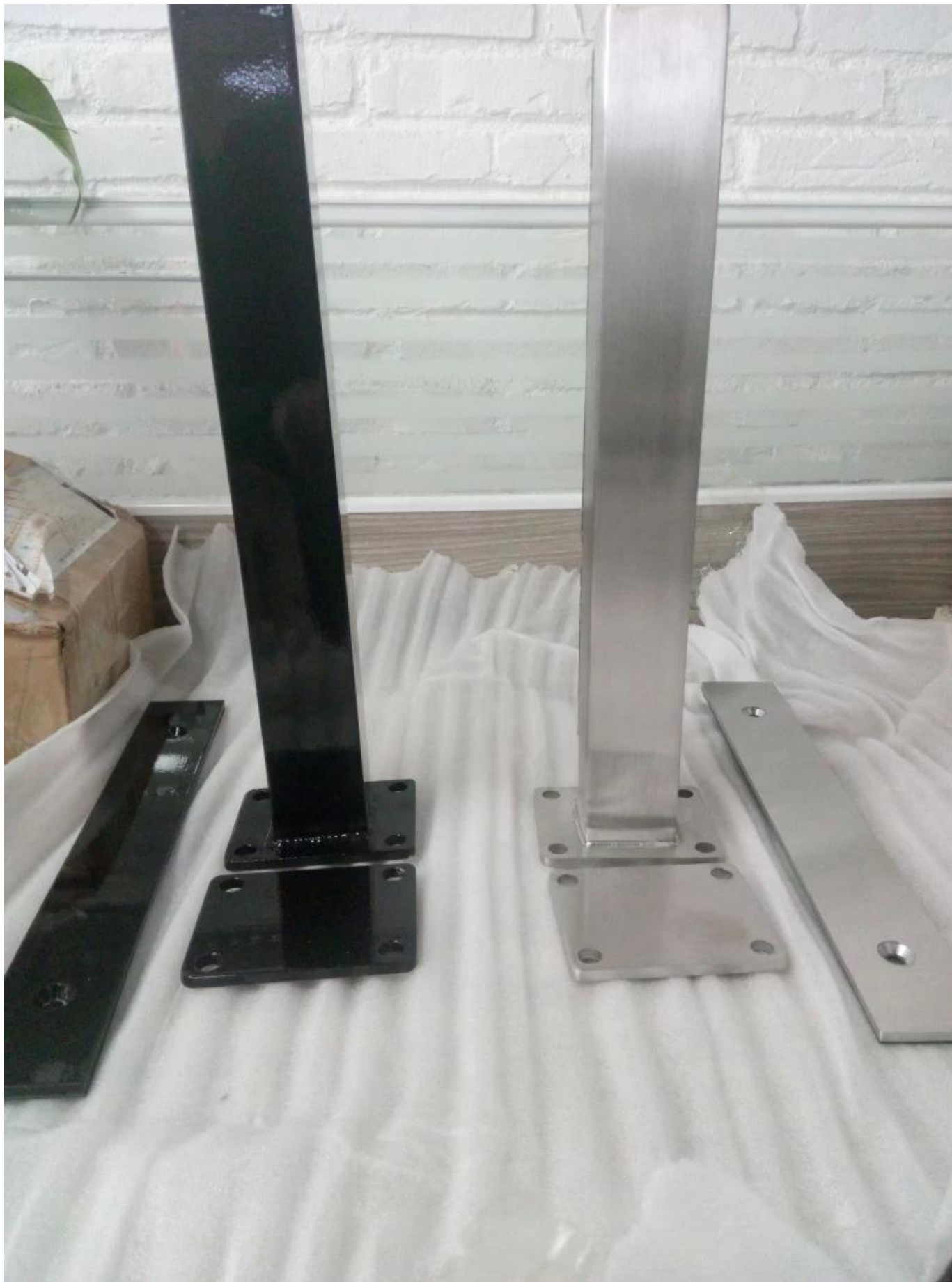


Stainless steel post
(SS 316)

*400mm high
*50x50x1.5mm tube
*50x5mm plate

Finish:
polished
brushed







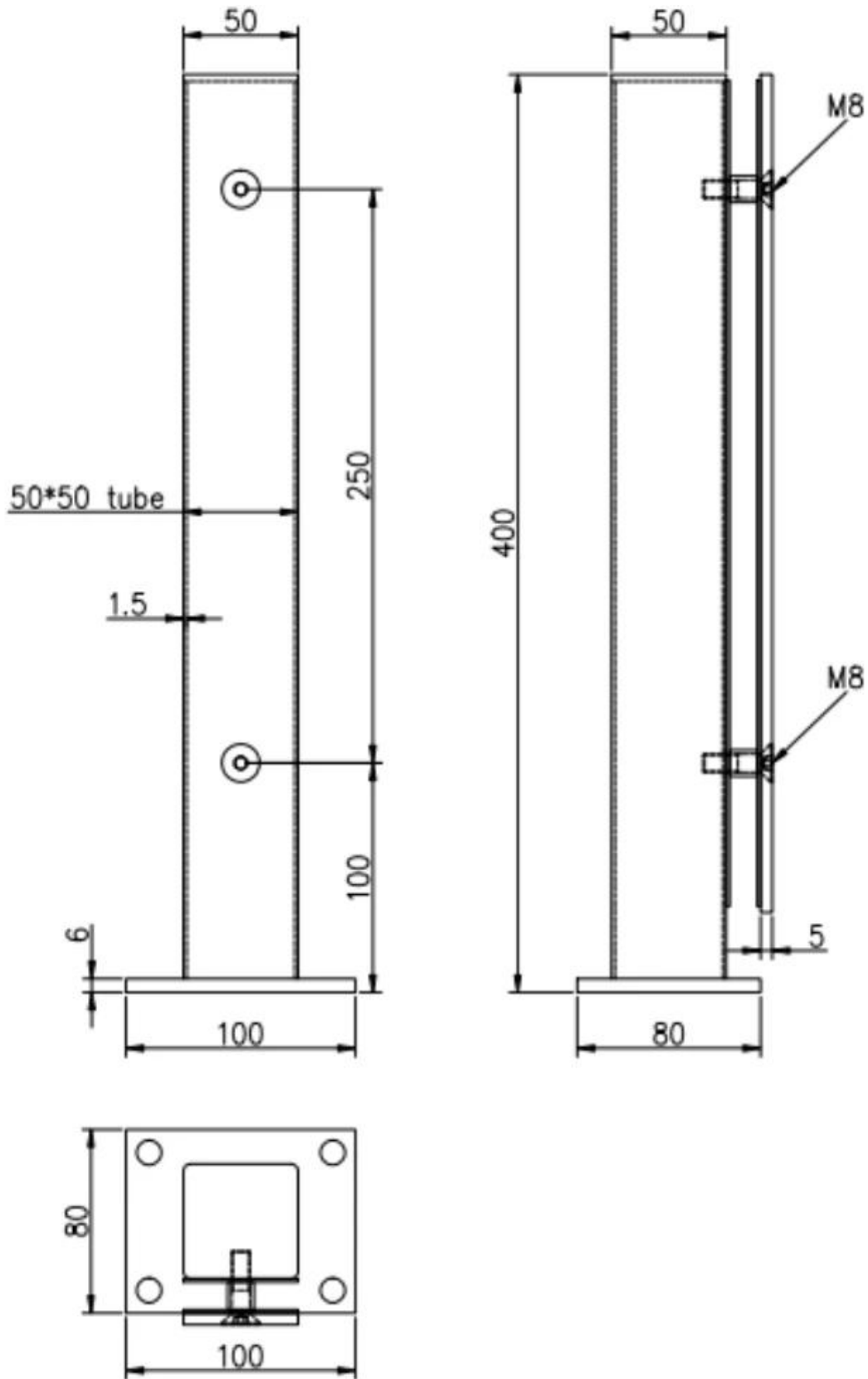


Mass production

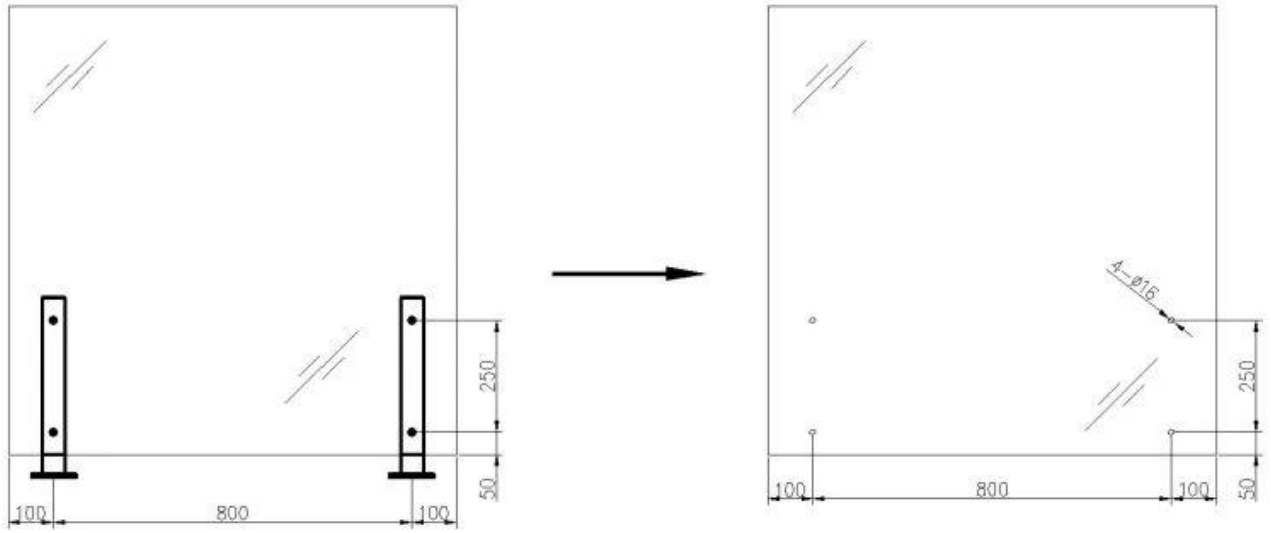




Technical Drawing:



Drill glass hole drawing



Project photo







Please feel free to contact us now:

Eve

Email: sales03@launch-china.cn

HP/WhatsApp: +8613686807796