

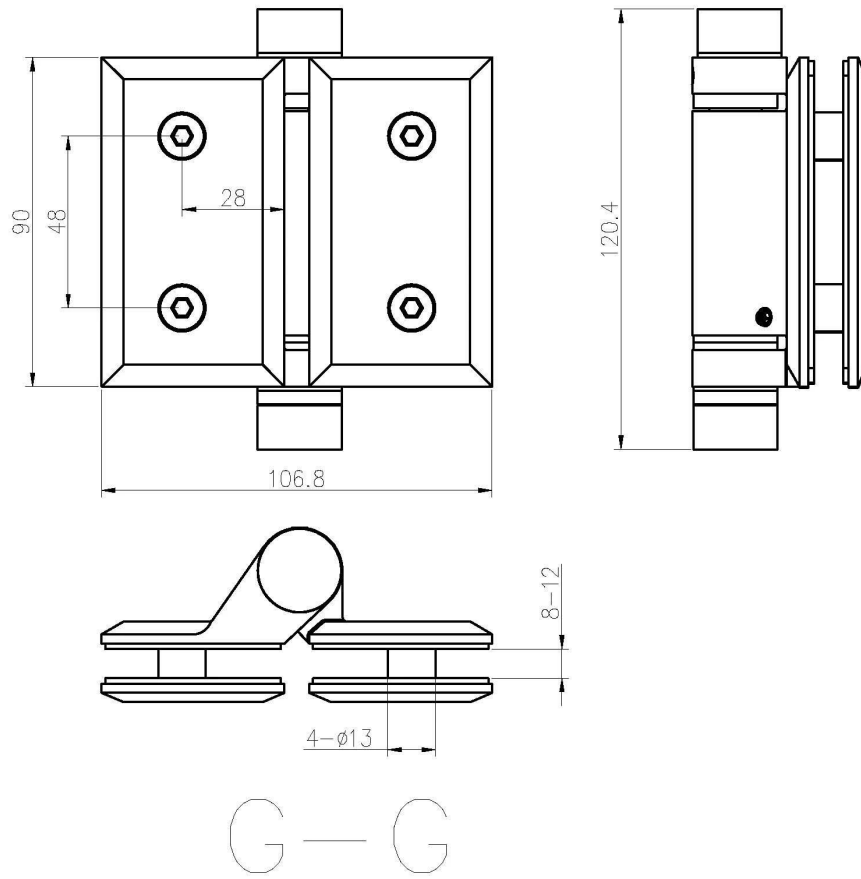
Duplex 2205 Spring loaded glass to glass hinge for swimming pool glass fence glass gate 8-12mm .

Specifications for glass hinge -

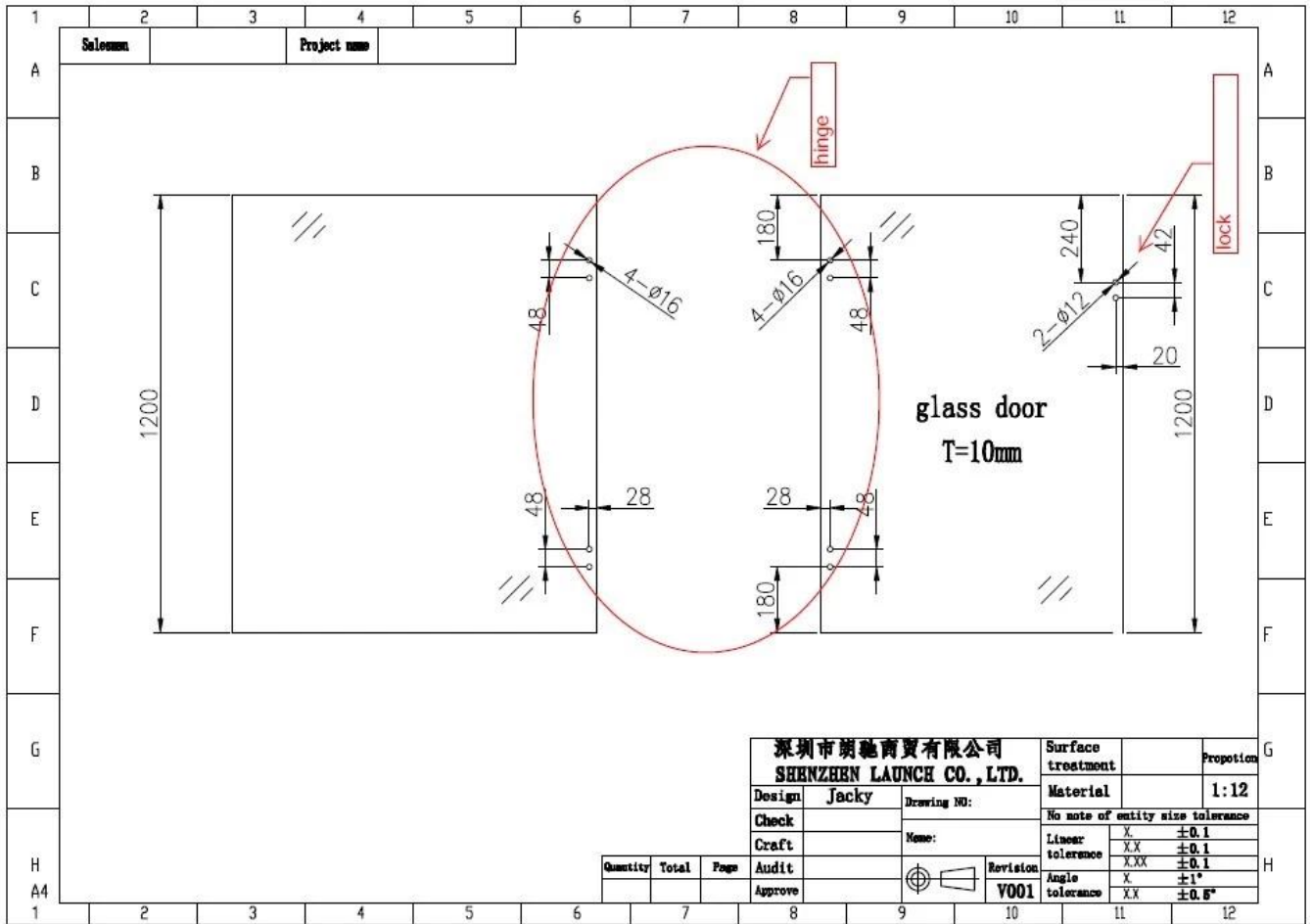
Model No.	G-G
Type of glass hinge	Glass to glass , more types available (glass to wall hinge , glass to post hinge)
Material	Duplex 2205
Finish	Matte black powder coating ; satin ; mirror
Glass thickness	8-12mm
Function	Spring loaded type glass hinge

Glass to glass hinge model -





Swimming pool fence glass gate drawing-



深圳市朗馳商貿有限公司 SHENZHEN LAUNCH CO., LTD.			Surface treatment	Proportion
Design	Jacky	Drawing NO:	Material	1:12
Check		Name:	No note of entity size tolerance	
Craft			Linear tolerance	X ±0.1
Audit			Linear tolerance	XX ±0.1
Approve			Angle tolerance	X ±1°
			Angle tolerance	XX ±0.5°

Quantity	Total	Page

Project photos of glass fence with our glass hinge series -





